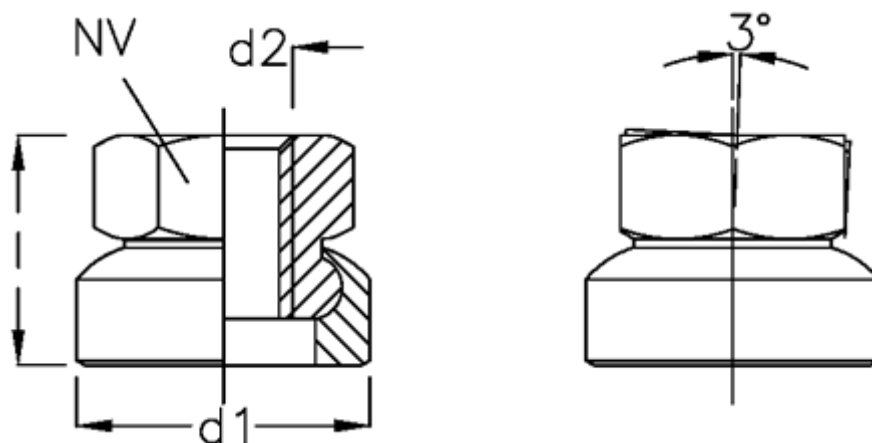


Article number: 20216405A

Description: Hexagon nut with levelling base  
GN 347-17-M8

## Measures

---



d1	= 17
d2	= M8
Length l	= 14.0
NV	= 13